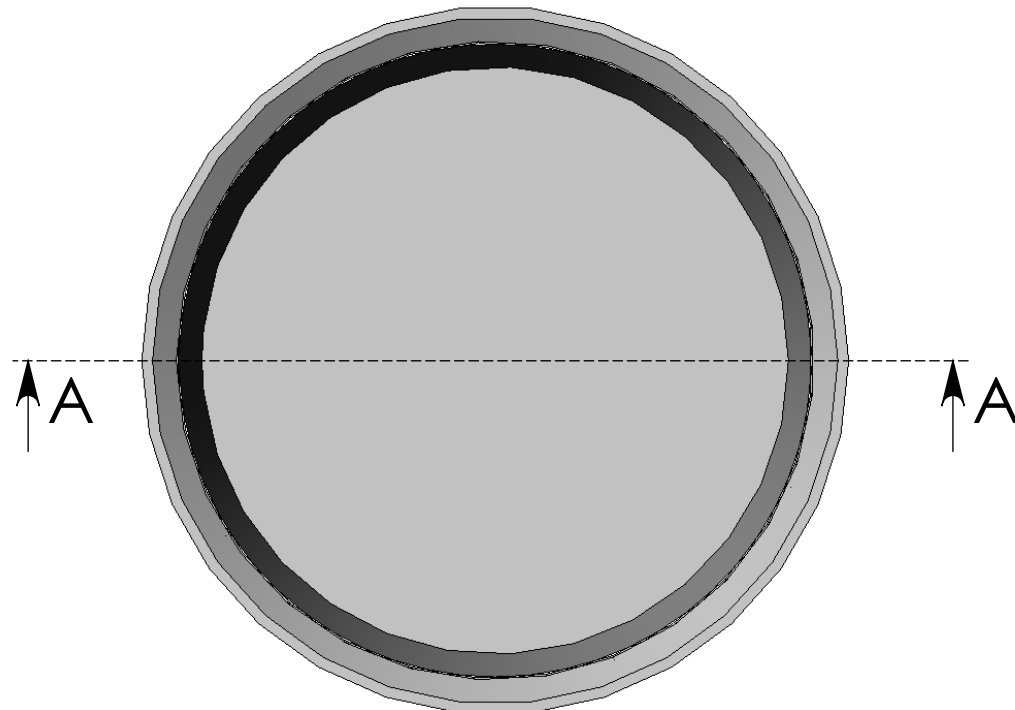
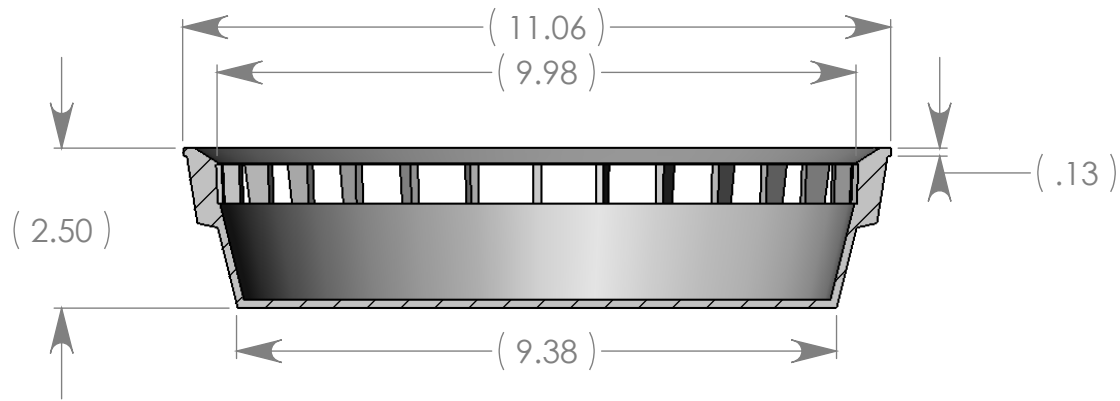


SECTION A-A



Material: Polyethylene
 Open Area: 16.6 sq. in.
 Flow Rate: 21.7 GPM
 ADA: No
 Wt. Class: No
 Heel: No
 Color: Black



Use with: FSD-120-RCB

FSD-120-RST
Round Debris Trap
01 Oct 09 