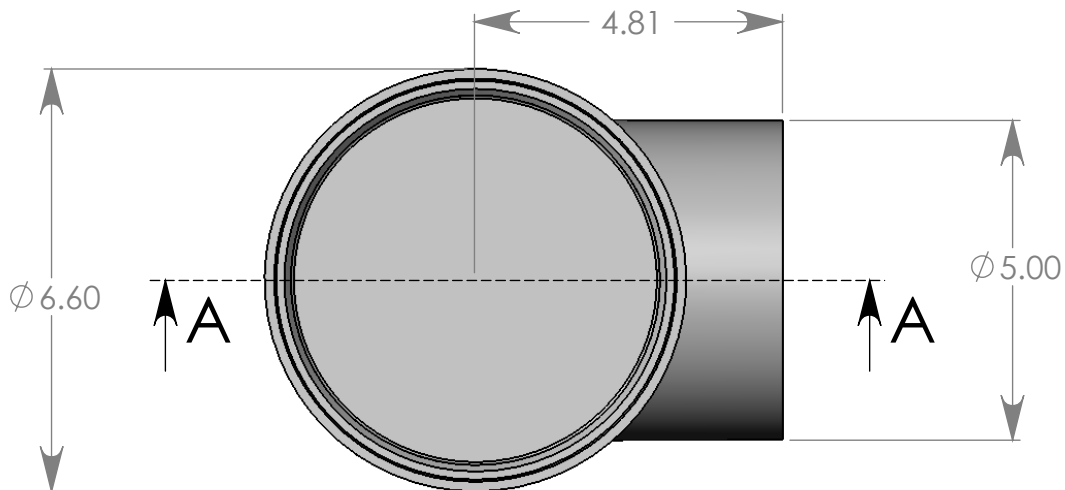
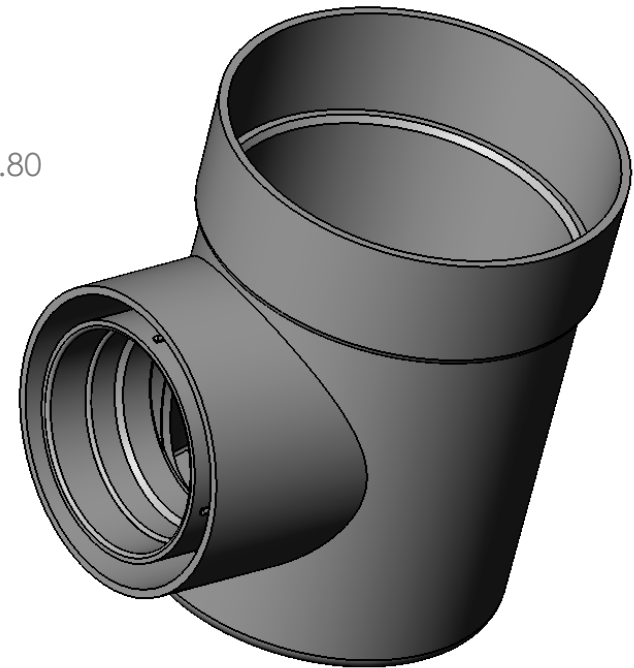


SECTION A-A



Material: Polyethylene
 Outlet: 3" & 4" Single
 Capacity: 0.8 Gallons
 Color: Black



- Use with; FSD-060-ST, FSD-064-A, FSD-060-R, FSD-064-R, FSD-080-R, FSD-084-R, FSD-090-S, FSD-094-S
- Bottom Outlet Connects to; 3 & 4" S&D Pipe, S&D Hub, Corrugated, Triple Wall, and Sch 40

FSD-060-CB-1

6" Round Catch Basin

01Feb10

