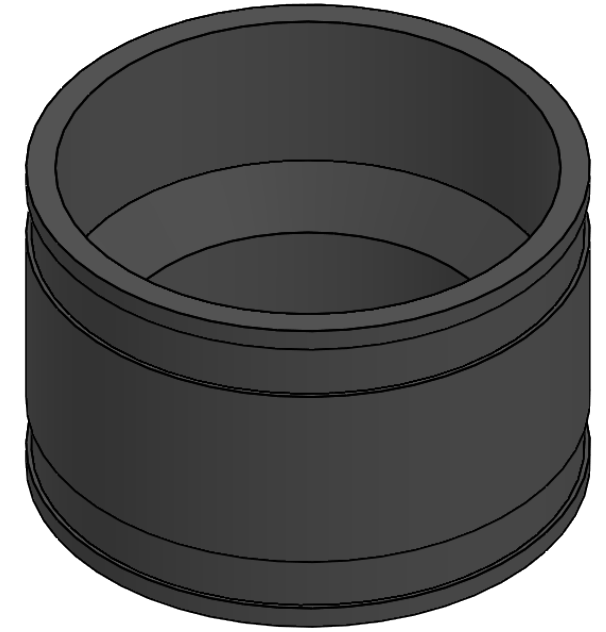
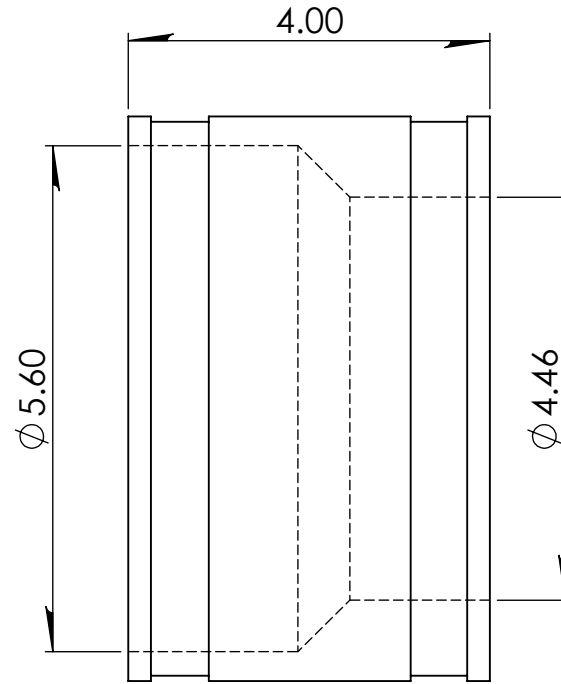
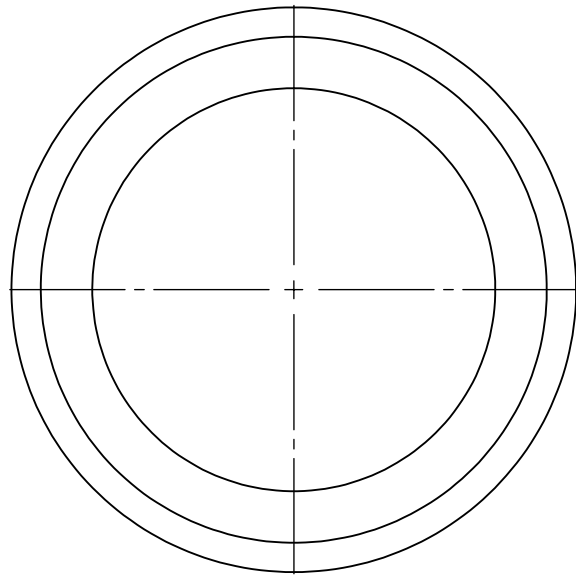




300 S. DAYTON ST.  
 DAVISON, MI 48423  
 PH: 810-503-9000  
 FAX: 810-653-8714

# 5006-44RC

DESCRIPTION:  
 CONNECTS 4 IN. CONC. TO 4 IN. CI/PL



NOTE:

PROPRIETARY AND CONFIDENTIAL  
 THE INFORMATION CONTAINED IN THIS  
 DRAWING IS THE SOLE PROPERTY OF  
 FERNICO, INC. ANY REPRODUCTION IN  
 PART OR AS A WHOLE WITHOUT THE  
 WRITTEN PERMISSION OF FERNICO, INC.  
 IS PROHIBITED.

TOLERANCES:  
 FRACTIONAL  $\pm 1/4"$   
 .XX =  $\pm .06$   
 ANG. =  $\pm 3^\circ$   
 UNLESS OTHERWISE SPECIFIED

MATERIAL	PVC	CLAMPS USED	316 SERIES STAINLESS	UNITS:	SIZE:	AUTHOR:	SCALE:
PART WEIGHT		INSTALLATION TORQUE	60 IN · LBS	INCHES	<b>A</b>	ELI MILLER	NOT TO SCALE
BOX QUANTITY		MIN/MAX TEMP.	-30/140 °F	3RD ANGLE PROJECTION	CHECKER:	DATE:	SHEET
PRESSURE TESTED		ASTM	C1173/D5926	DO NOT SCALE DRAWING		5/26/2020	1 OF 1