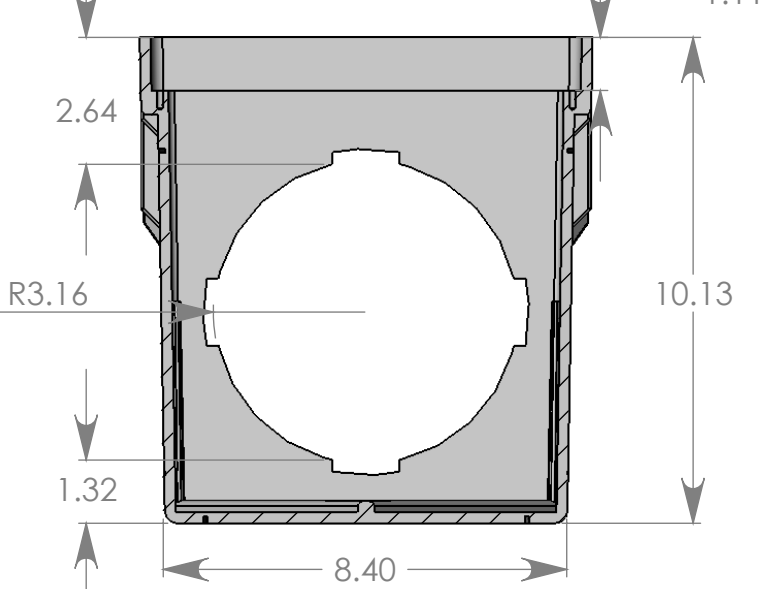
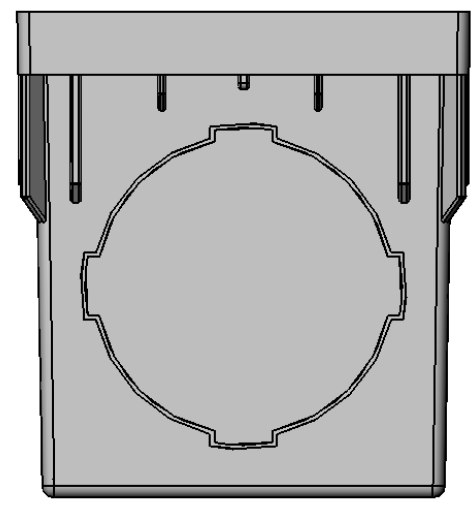
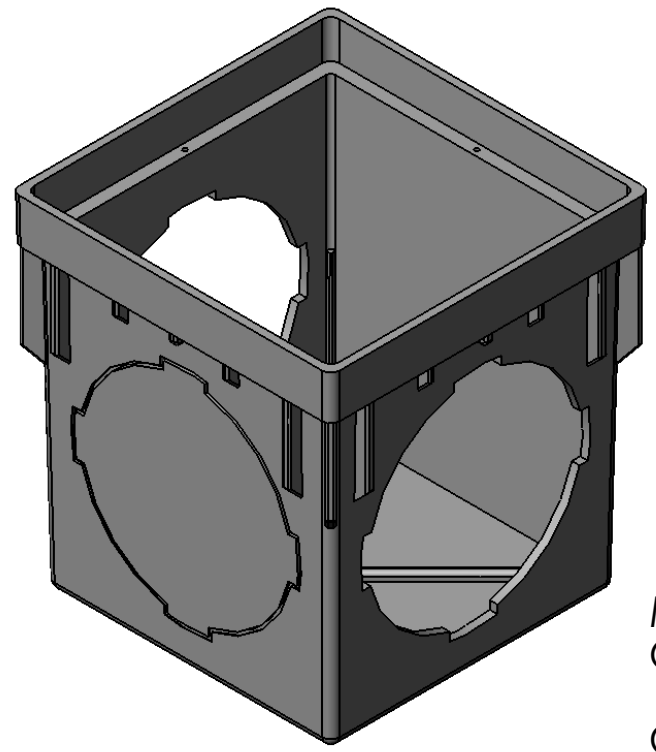


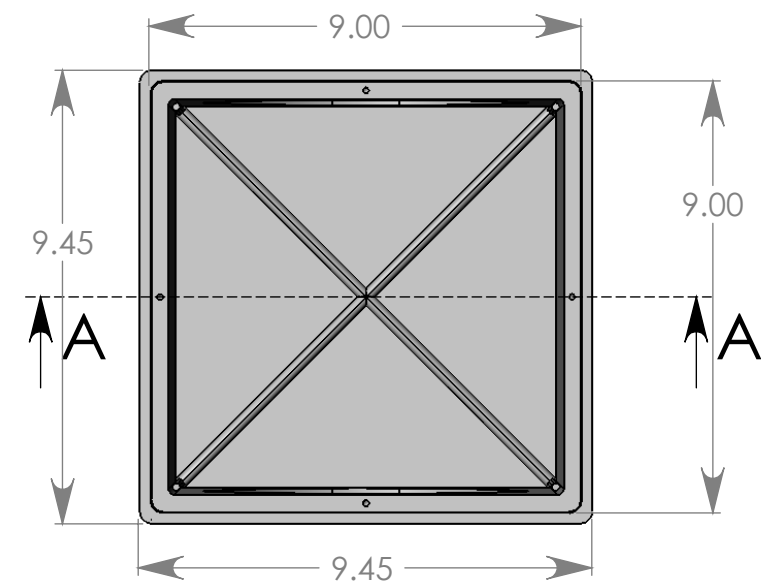
SECTION A-A



Molded Opening
2 Locations



Score Line
3 Locations



Top View

Material: Polyethylene
 Outlet: Up to 5, 3" & 4"
 Uni. Adapter
 Capacity: 2.4 Gallons
 Color: Black



FSD-090-CB-2
9" Catch Basin

- Use with; FSD-UA-001, FSD-090-SF, FSD-094-SF, FSD-090-ST, FSD-UA-PLUG, FSD-090-A, FSD-094-A
- Universal Outlet Connects to; 3 & 4" S&D Pipe, S&D Hub, Corrugated, Triple Wall, and Sch 40