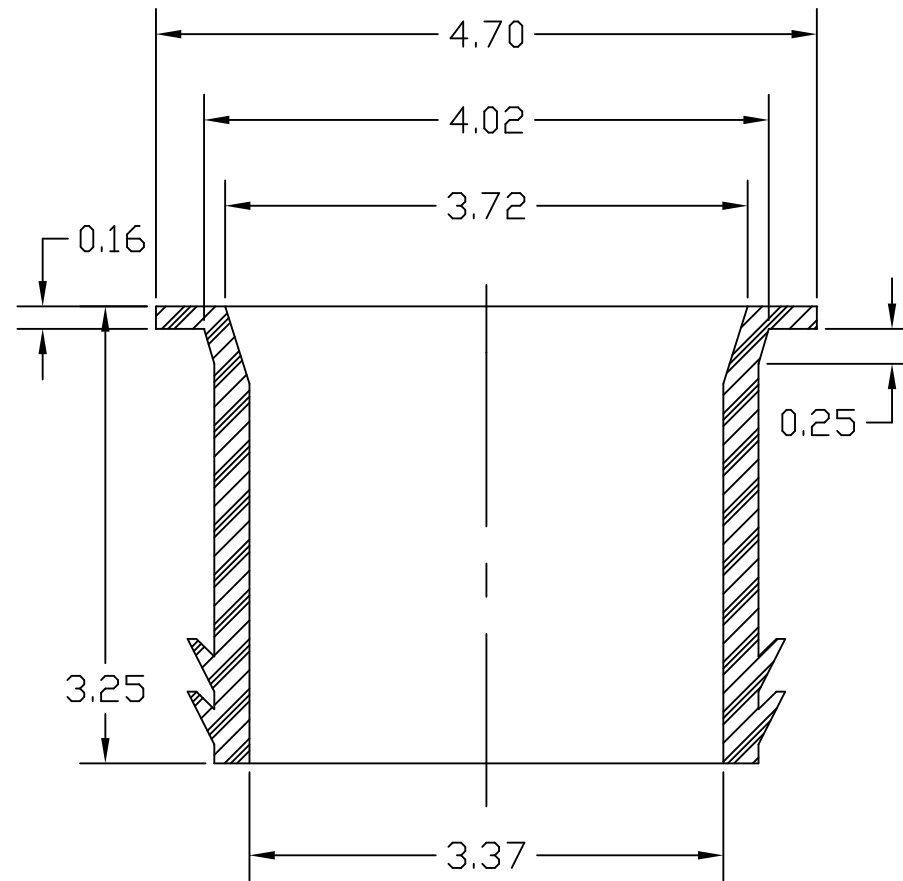


REVISIONS				
ZONE	REV	DESCRIPTION	DATE	APPROVED



Notes

1. Conforms to ASTM A 1045
2. Permanent Pressure Sensitive Adhesive
3. UPC Approved
4. Connects Toilet Horn to 4" ID Pipe



UNLESS OTHERWISE SPECIFIED: DIMENSIONS ARE IN INCHES TOLERANCES	
DECIMALS	ANGULAR
.XX ± .062	± 0.5°
.XXX ± .032	
DO NOT SCALE DRAWING	
DRAWN	DATE
AJD	29 Oct 10
CHECKED	

FTS-4			
Wax Free Toilet Seal			
SIZE	FSCM NO.	DWG NO.	REV
A			